

# Wireless Charging Module

## Reliability to realized by high quality



Since the battery contacts are not exposed, this is suitable for dustproof and waterproof products. Because of small size, it can be mounted in wearable products and healthcare products.

**TPWPTX2/7 (transmission module)**  
**TPWPRX2/7 (receiving module)**

**TPWP-EVA (evaluation kit)**

### Features

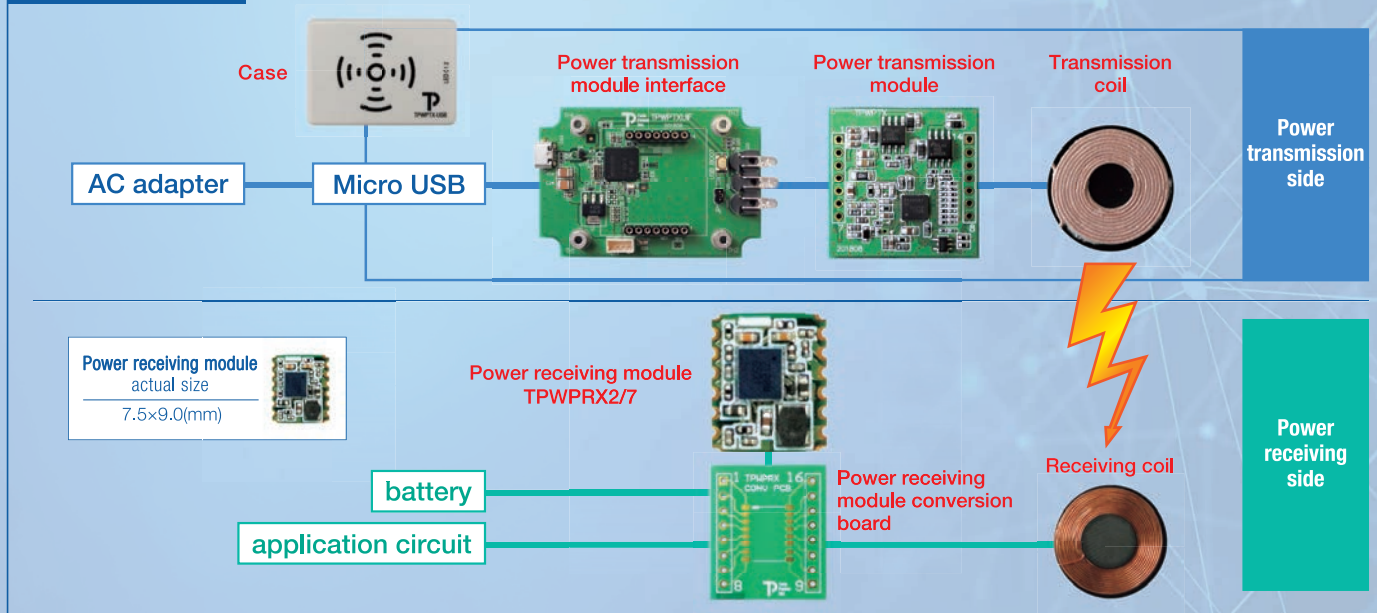
- 1 Battery protection, Low battery voltage detection function, Power supply current setting etc.
- 2 Evaluation kit can be connected to a personal computer and charging parameters can be written.
- 3 2 types of charging current: 20 mA and 70mA are available.

### Specification

	Transmission side	Receiving side
	TPWPTX7 TPWPTX2	TPWPRX7 TPWPRX2
Size(mm)	30.0×32.0×2.7	7.5×9.0×1.2
Weight (g)	2.6	0.3
Others	RoHS	RoHS
Interface	I2C	—
Input voltage	5.0±0.2V	—
Current consumption	90mA	—
Charge voltage	—	4.05/4.20/4.35V
Charge current	—	TPWPRX7:10~70mA TPWPRX2:10~20mA
DC-DC converter output voltage	—	1.8/3.0V
DC-DC converter output current	—	Max 100mA

### Block diagram

(Red letters are included in the TPWP - EVA kit)



Catalog is as of October 2018. Specification, appearance etc. may change without notice. Please contact us for further details: